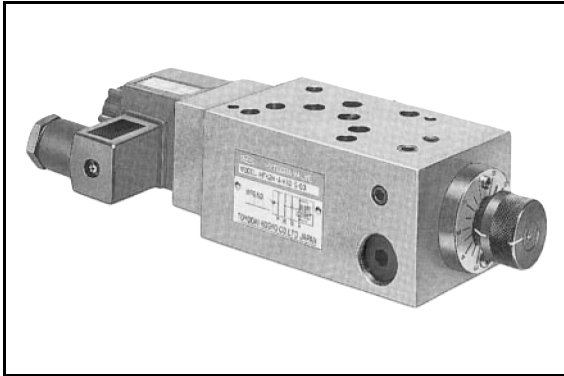


THROTTLE VALVE AND FLOW CONTROL VALVE WITH SOLENOID-OPERATED CHECK VALVE (HFK2H)



SOLENOID CHARACTERISTICS

Model	W-22B-18-A1		W-22B-18-A2		WD-22B-42-D2
Voltage	100 VAC		200 VAC		24 VDC
Frequency	50 Hz	60 Hz	50 Hz	60 Hz	—
Starting current	2.35 A	2.10 A	1.18 A	1.05 A	—
Holding current	0.46 A	0.36 A	0.23 A	0.18 A	1.0 A
Consumed power	21.8 W	18.8 W	21.9 W	18.9 W	25 W

SPECIFICATIONS

● Throttle Valve

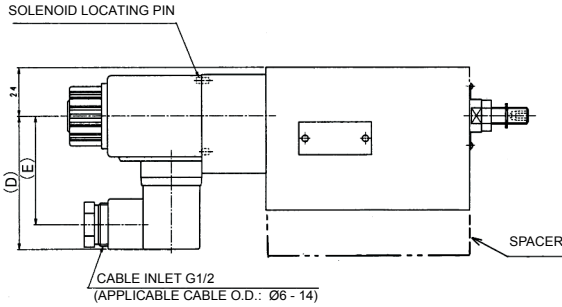
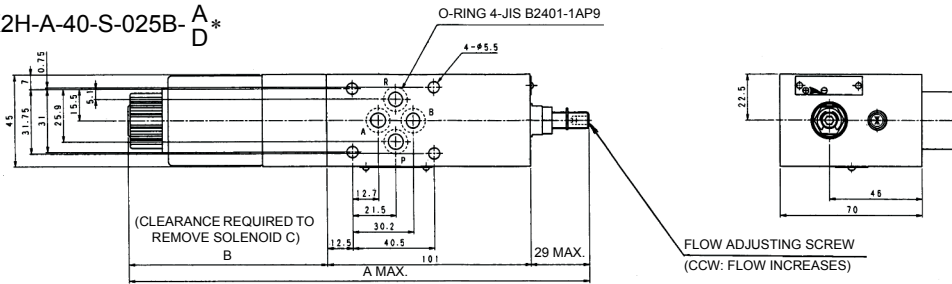
Controlled Port	Model	Max. Operating Pressure (MPa)	Rated Flow (L/min)	Flow Adjustment Range (L/min)	Min. Flow for Rapid Feed (L/min)	Symbol
A	HFK2H-A-40-S-025B- $\frac{A}{D}$ *	14	20	0.5 to 40	5	
	HFK2H-A-80-S-03- $\frac{A}{D}$ *		30	0.5 to 80		
	HFK2H-A-190-S-06- $\frac{A}{D}$ *		120	1 to 190		
B	HFK2H-B-40-S-025B- $\frac{A}{D}$ *		20	0.5 to 40		
	HFK2H-B-80-S-03- $\frac{A}{D}$ *		30	0.5 to 80		
	HFK2H-B-190-S-06- $\frac{A}{D}$ *		120	1 to 190		
R	HFK2H-R-40-S-025B- $\frac{A}{D}$ *		20	0.5 to 40		
	HFK2H-R-80-S-03- $\frac{A}{D}$ *		30	0.5 to 80		

● Flow Control Valve with Pressure and Temperature Compensation

Controlled Port	Model	Max. Operating Pressure (MPa)	Rated Flow (L/min)	Flow Adjustment Range (L/min)	Min. Flow for Rapid Feed (L/min)	Symbol
A	HFK2H-A-K6-S-025B- $\frac{A}{D}$ *	14	20	0.3 to 6	5	
	HFK2H-A-K12-S-03- $\frac{A}{D}$ *		30	0.1 to 12		
B	HFK2H-B-K6-S-025B- $\frac{A}{D}$ *		20	0.3 to 6		
	HFK2H-B-K12-S-03- $\frac{A}{D}$ *		30	0.1 to 12		
R	HFK2H-R-K6-S-025B- $\frac{A}{D}$ *		20	0.3 to 6		
	HFK2H-R-K12-S-03- $\frac{A}{D}$ *		30	0.1 to 12		

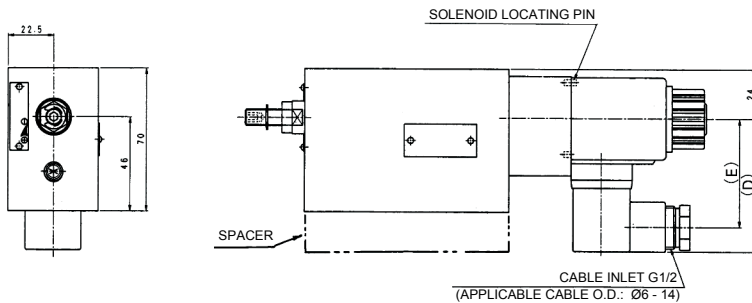
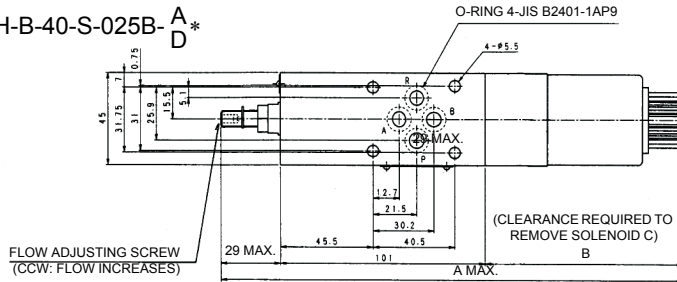
EXTERNAL DIMENSIONS (THROTTLE VALVE WITH SOLENOID-OPERATED CHECK VALVE)

● HFK2H-A-40-S-025B-A*



MASS: 3.0 kg

● HFK2H-B-40-S-025B-A*



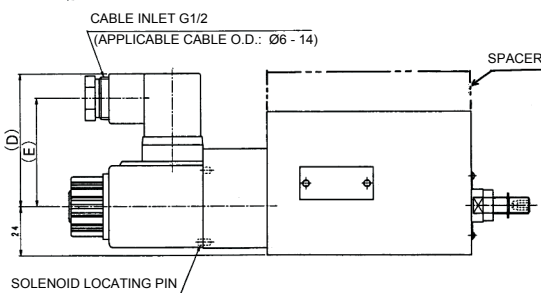
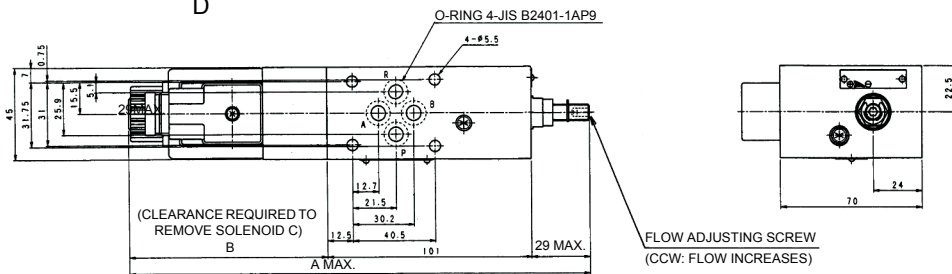
MASS: 3.0 kg

● Dimension Table

Unit: mm

Model	A	B	C	D	E
HFK2H-**-40-S-025B-A*	228	98	146	65	53
HFK2H-**-40-S-025B-D*	241.5	111.5	172	67	55

● HFK2H-R-40-S-025B-A*

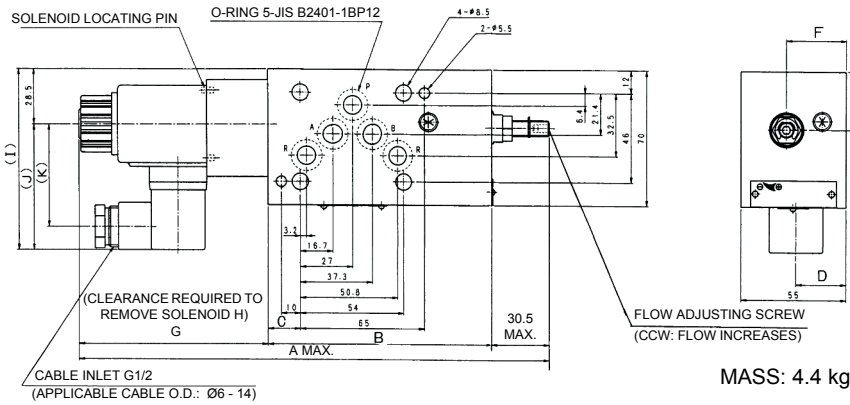


MASS: 3.0 kg

- NOTE 1:** WHEN CONNECTING CABLES, REMOVE THE SOLENOID IF THERE IS AN ADJACENT VALVE.
- NOTE 2:** THE SOLENOID DIRECTION CAN BE SWITCHED (180-DEG.) BY REMOVING AND RE-INSERTING THE LOCATING PIN.
- NOTE 3:** THE WIRING CONNECTOR MAY INTERFERE WITH OTHER VALVES DEPENDING ON THE ORDER OF STACKING. IF INTERFERENCE OCCURS, USE A SPACER (H-02152, 35 MM THICK).

EXTERNAL DIMENSIONS

● HFK2H-A-80-S-03-A_D*



● Dimension Table

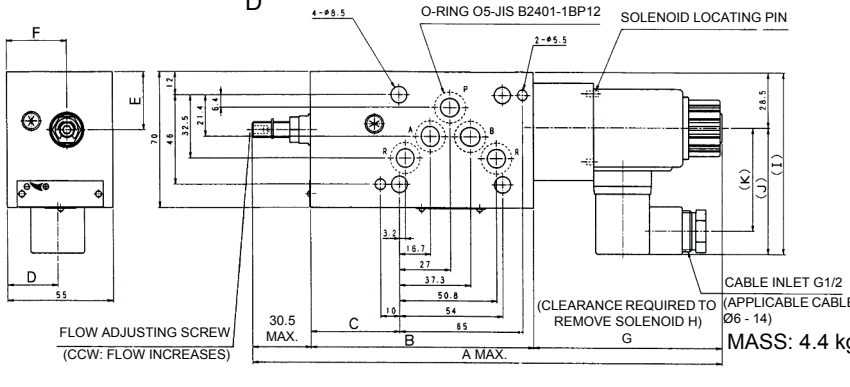
Unit: mm

Model	A	B	C	D
HFK2H-A-80-S-03-A*	245.5	117	17	26
HFK2H-B-80-S-03-A*	245.5	117	46	26
HFK2H-R-80-S-03-A*	262.5	134	33	29
HFK2H-A-80-S-03-D*	259	117	17	26
HFK2H-B-80-S-03-D*	259	117	46	26
HFK2H-R-80-S-03-D*	276	134	33	29

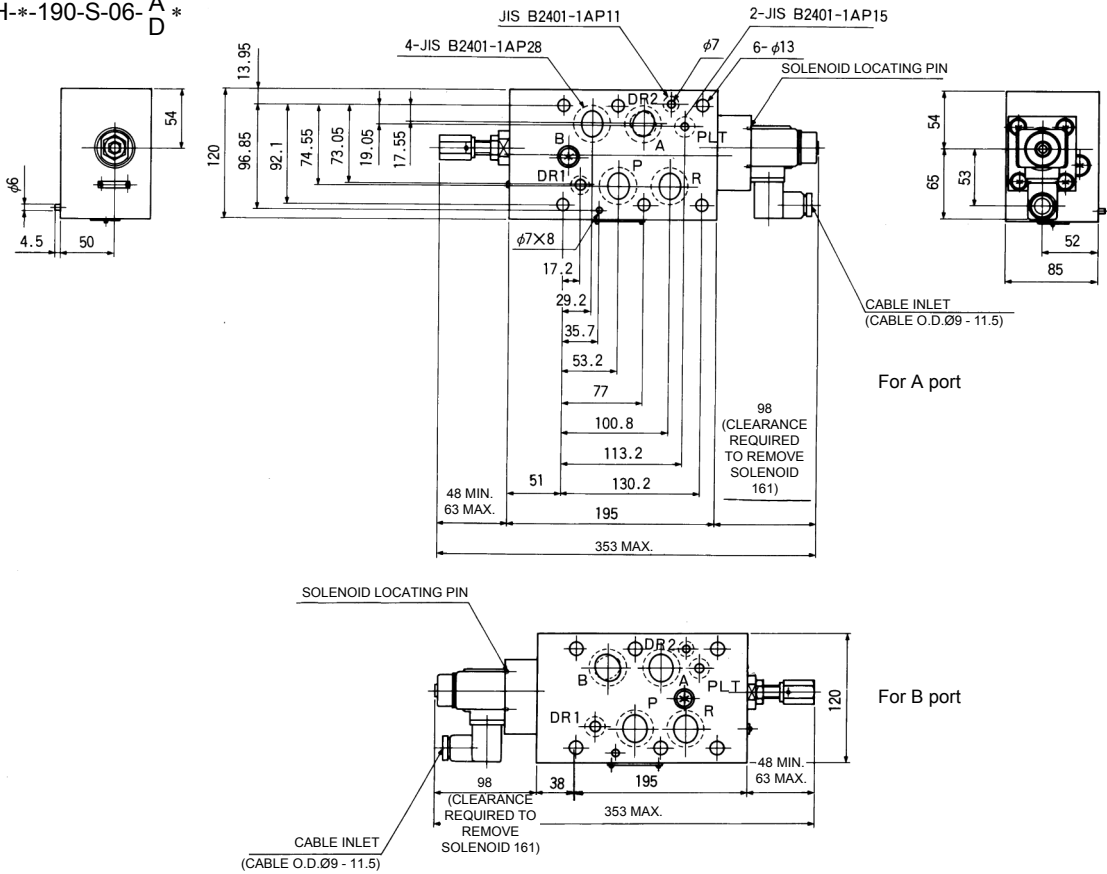
Model	E	F	G	H
HFK2H-A-80-S-03-A*	30	31	98	146
HFK2H-B-80-S-03-A*	30	31	98	146
HFK2H-R-80-S-03-A*	27	35	98	146
HFK2H-A-80-S-03-D*	30	31	111.5	172
HFK2H-B-80-S-03-D*	30	31	111.5	172
HFK2H-R-80-S-03-D*	27	35	111.5	172

Model	I	J	K
HFK2H-A-80-S-03-A*	93.5	65	53
HFK2H-B-80-S-03-A*	93.5	65	53
HFK2H-R-80-S-03-A*	93.5	65	53
HFK2H-A-80-S-03-D*	95.5	67	55
HFK2H-B-80-S-03-D*	95.5	67	55
HFK2H-R-80-S-03-D*	95.5	67	55

● HFK2H-B-80-S-03-A_D*



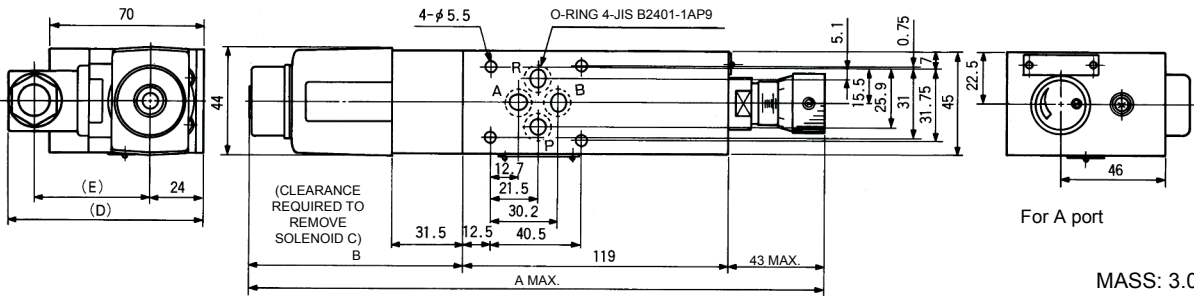
● HFK2H-*-190-S-06-A_D*



EXTERNAL DIMENSIONS (FLOW CONTROL VALVE WITH SOLENOID-OPERATED CHECK VALVE)

● HFK2H-A-K6-S-025B-A*
D

● HFK2H-B-K6-S-025B-A*
D

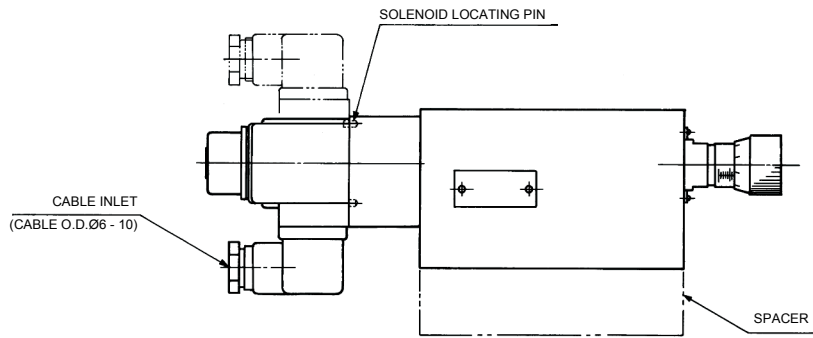


MASS: 3.0 kg

● Dimension Table

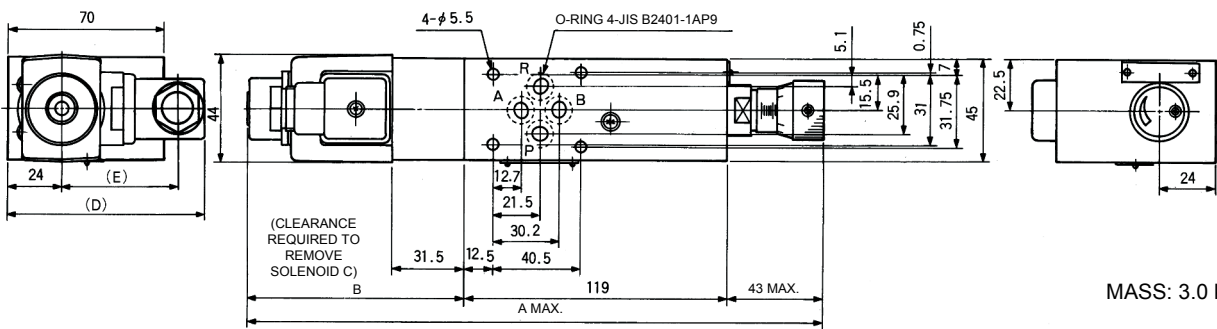
Unit: mm

Model	A	B	C	D	E
HFK2H-*K6-S-025B-A*	260	98	146	89	53
HFK2H-*K6-S-025B-D*	273.5	111.5	172	91	55

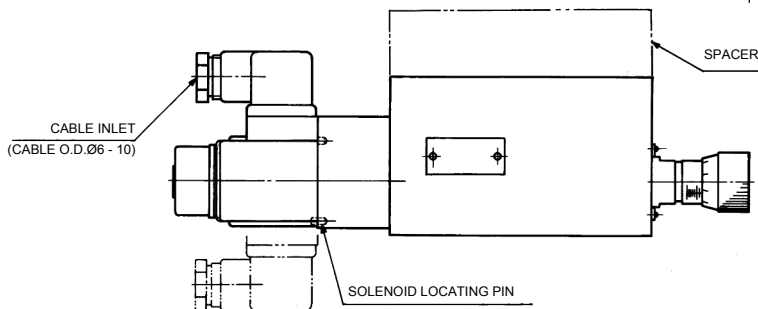


MASS: 3.0 kg

● HFK2H-R-K6-S-025B-A*
D



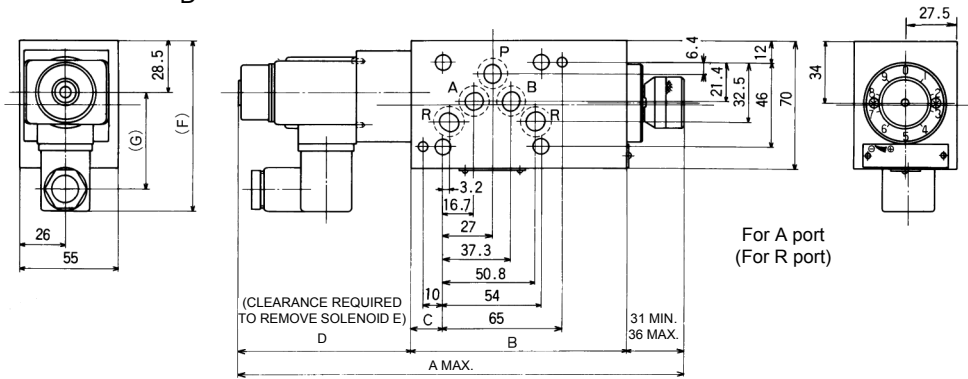
MASS: 3.0 kg



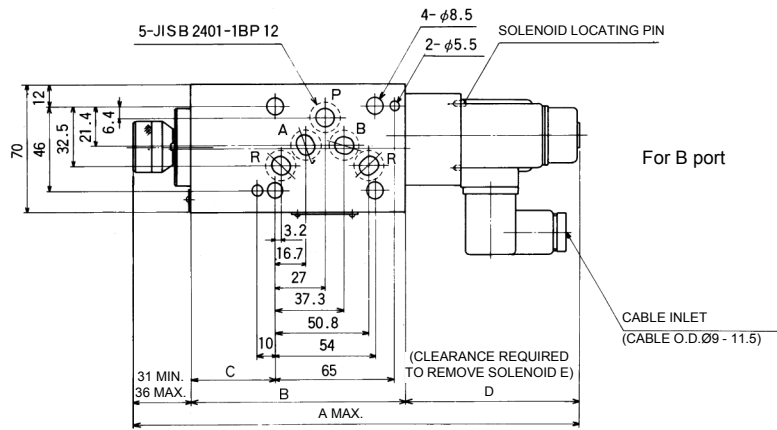
- NOTE 1:** WHEN CONNECTING CABLES, REMOVE THE SOLENOID IF THERE IS AN ADJACENT VALVE.
- NOTE 2:** THE SOLENOID DIRECTION CAN BE SWITCHED (180-DEG.) BY REMOVING AND RE-INSERTING THE LOCATING PIN.
- NOTE 3:** THE WIRING CONNECTOR MAY INTERFERE WITH OTHER VALVES DEPENDING ON THE ORDER OF STACKING. IF INTERFERENCE OCCURS, USE A SPACER (H-02152, 35 MM THICK).

EXTERNAL DIMENSIONS

● HFK2H-*-K12-S-03-A*
D*



MASS: 4.4 kg



MASS: 4.4 kg

● Dimension Table

Unit: mm

Model	A	B	C	D	E	F	G
HFK2H-A-K12-S-03-A*	253	117	17	98	146	93.5	53
HFK2H-B-K12-S-03-A*	253	117	46	98	146	93.5	53
HFK2H-R-K12-S-03-A*	270	134	33	98	146	93.5	53
HFK2H-A-K12-S-03-D*	266.5	117	17	111.5	172	95.5	55
HFK2H-B-K12-S-03-D*	266.5	117	46	111.5	172	95.5	55
HFK2H-R-K12-S-03-D*	283.5	134	33	111.5	172	95.5	55